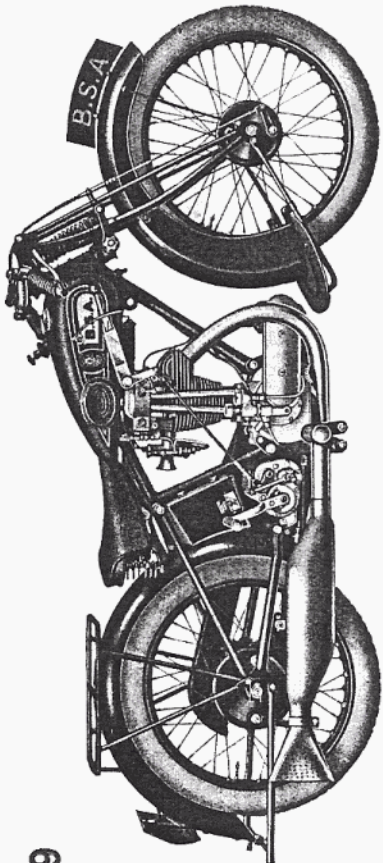
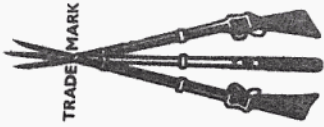


1929



**B.S.A 1928 and 1929**

**B.S.A CARRIER STRIP, NUMBER PLATE, REAR STAND CLIP.**  
**FOR 1928 and 1929 MODELS**



TRADE MARK

**CARRIER 24.7485**

For 1929 Models Carrier will fit L29 Standard 350cc and 4.93 H.P. S29 standard S.Valve.

For 1930 Models Carrier is the same As 1929 (But part no change to 27.7483) Due to fixing bracket not used. Will fit models 2.49cc S.V. B30-3. 2.49cc O.H.V B.30-4. 3.49cc S.V. L30-5. 3.49. Comm L30-6. EURO 93.00

**B.S.A. 3.49 h.p. model L29 O.H.V.**

**FRONT WIRE STAYS 26.7205**



For 1925 and 1926 F.Wire Stays 26.7205 Fits 9.86 H.P. V.Twin.  
 For 1927/8 Fits 4.93 H.P. DELUX. 4.93 H.P. O.H.V. 5.57 H.P. 7.70 H.P. Light V. Twin. 9.86 H.P. Colonial V.Twin.  
 For 1928 Fits 3.49 H.P. S.Valve and O.H.V. 4.93 H.P. Standard EURO 12.40 each Includes fixing Nuts EB113 Two Needed Per Stay.

Please note all drawings covered by Database Copyright  
**ALWAYS WANTED BRITISH MOTORCYCLE SPARES W.H.Y**

For 1928 25.7355 No plate Fits all Models (with Mag Dyno) Except 249cc.  
 25.7360 Magita Models, or 25.7350 are the same as 25.7355 (Holes for rear lamp Determine Part No) All No Plates Supplied Unpainted Undrilled.  
 For 1929 Fits all models. EURO 40.30

**REAR NO PLATE 25.7355**

F.M.Guard Stand Stay 15.452 1928 (Fits Open M.Guard, Forks pass through Guard) Fits Models 3.49 H.P. S.V. and O.H.V. 4.93 H.P. Standard.  
 For 1929 Fits 3.49 H.P. S.V. and 3.49 O.H.V. Standard. 4.93 H.P. and 5.57 H.P Standard. 4.93 H.P. O.H.V. Light 2 Port. EURO 40.30

**F.M. GUARD BOTTOM STAND STAY 15.452**

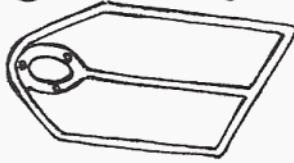


**1929 REAR BRAKE ROD**

15.7924 28 Inches Long. Fits (4.93 H.P. and 5.57 H.P. DELUX) (3.49 H.P. S.Valve) (3.49 H.P. O.H.V. Standard) (4.93 H.P. O.H.V. Light 2 Port. Will also fit (2.49 H.P. DELUX 27 3/4 Inch Long. PT NO 25.9737 EURO 31.00 Other Lengths in Stock (25.7901. 7.70 V.Twin.) 15.7918. 24.7912.

**B.S.A.**

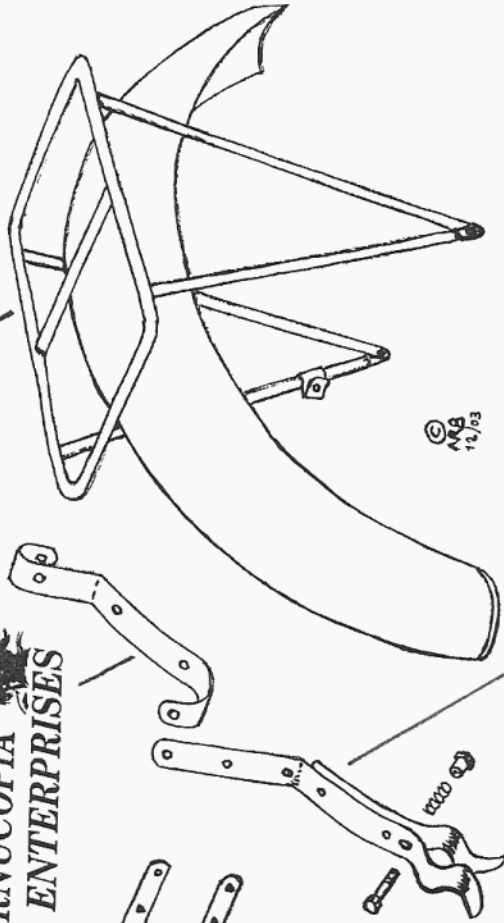
B.S.A (Gold) Piled Arms Waterside Transfers (narrow Version) To fit On Rear Stand fixing clip EURO 3.44



**CORNUCOPIA ENTERPRISES**

**REAR NUMBER PLATE AND CARRIER STRIP 15.7366**

For 1929 Fits 3.49 H.P. O.H.V. Standard. 4.93 H.P. and 5.57 H.P. standard + 7.70 H.P. Light V.Twin EURO 18.60.



**R-STAND CLIP (no plate bracket) 15.7346 +15.7385**

1929 Rear Stand Clip Outside Strip 15.7346, inside 15.7385 (Clip only sold complete) Fits Models 3.49 H.P. O.H.V. Std and 4.93 H.P. and 5.57 H.P. EURO 34.00 Spares for stand clip, Spring Bolt 15.7390 +Nut EB214A EURO 6.20. +Lock Nut EB116, F.URO 0.62. Spring Bolt (Spring) EURO 3.10

**ALL PRICES +POSTAGE + 19% VAT. ALLE PREISE + VERSAND GELTEN ZZGL M.W.5**